



Stationary power chucks

SSP



APPLICATION

For stationary centric clamping of workpieces on milling machines or machining centers.

TYPE

Clamping system consisting of a 3-jaw chuck, including an integrated pneumatic cylinder.
Serration 90°.

CUSTOMER BENEFITS

- ④ Compact design
- ④ Large variety of applications is possible by using different clamping jaws
- ④ Centric clamping of round and angular workpieces
- ④ High repeatability thanks to sturdy chuck construction and constant clamping force at same pressure
- ④ Purge air connection possible to prevent contamination

TECHNICAL FEATURES

- Wedge hook system with pneumatic actuation
- Clamping force can be regulated by changing the pressure

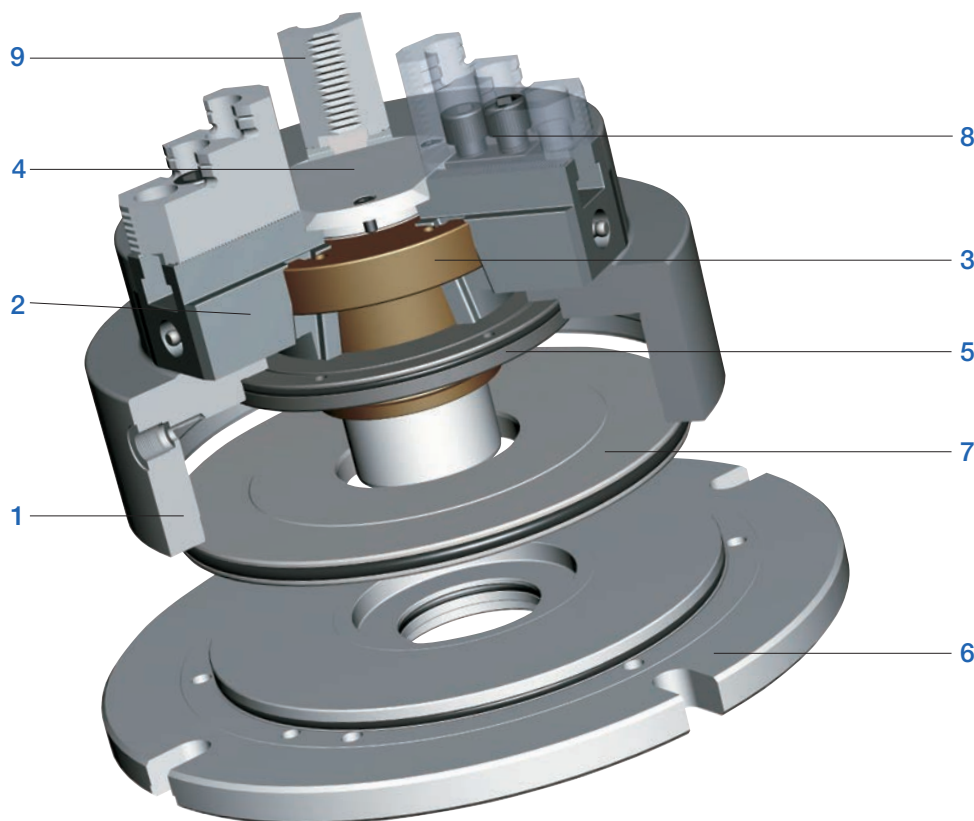
Note:

Hydraulic actuation on request

SSP = stationary, power chuck, pneumatically



Stationary power chuck SSP



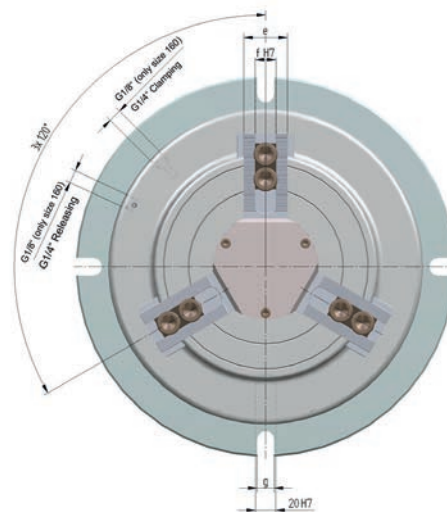
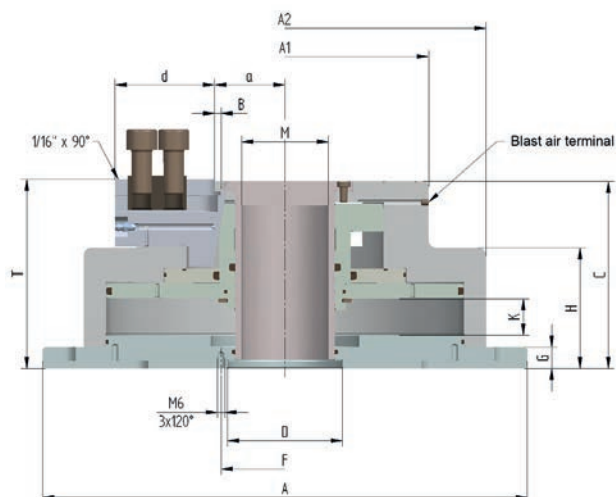
Components:

1. Body
2. Base jaw
3. Piston
4. Protective bushing
5. Intermediate disc
6. Mount
7. Piston disc
8. T-nut
9. Top jaws



Stationary power chucks

SSP



C 15 Stationary power chucks SSP, air operated 3-jaw chucks, without through-hole, serration 1/16" x 90°

| Item No. | 161505 | 161506▲ | 161507▲ | 161508 |
|--|----------------|----------------|----------------|-----------------|
| Size | 160 | 200 | 250 | 315 |
| Number of jaws | 3 | 3 | 3 | 3 |
| A mm | 260 | 320 | 380 | 415 |
| A1 mm | 178 | 205 | 255 | 320 |
| A2 mm | 210 | 255 | 315 | 350 |
| Jaw travel B mm | 4,2 | 4,2 | 5 | 5 |
| C mm | 130,5 | 134 | 146 | 156,5 |
| Mount D ¹⁶ | M5 | M7 | M9 | M10 |
| D | M8 | M12 | M16 | M16 |
| F mm | 65 | 80 | 100 | 120 |
| G mm | 15 | 17 | 17 | 21,5 |
| H mm | 84,5 | 86 | 94 | 104,5 |
| Wedge stroke K mm | 24 | 23,8 | 28,4 | 28,4 |
| Possible through-hole M mm | 38 | 52 | 68 | 90 |
| T mm | 131,5 | 135,5 | 147,5 | 158 |
| U | M8 | M12 | M16 | M16 |
| a min. | 31,8 | 41,2 | 50 | 61,5 |
| a max. | 36 | 45,4 | 55 | 66,5 |
| c mm | 15 | 19 | 25 | 25 |
| d mm | 54,5 | 62 | 78 | 99 |
| e mm | 32 | 36 | 44 | 44 |
| f ^{H7} mm | 12 | 17 | 21 | 21 |
| g mm | 13 | 17 | 17 | 17 |
| Piston area cm ² | 209 | 323 | 532 | 654 |
| Min. operating pressure bar | 2 | 2 | 2 | 2 |
| Max. operating pressure bar | 8 | 8 | 8 | 8 |
| Max. total clamping force at working pressure - External clamping kN | 36 (bei 6 bar) | 55 (bei 6 bar) | 90 (bei 6 bar) | 111 (bei 6 bar) |
| Max. total clamping force at working pressure - Internal clamping kN | 38 (bei 6 bar) | 60 (bei 5 bar) | 96 (bei 6 bar) | 118 (bei 6 bar) |
| Weight without jaws approx. kg | 25 | 34 | 54 | 65 |

Stationary power chuck SSP



Stationary power chucks

Jaws SSP

C 21

Reversible top jaws, 3-jaw set, hardened serration 90° - material: 16MnCr5



| Item no. | Size | Jaw length mm | Jaw height mm | Jaw width mm | Serration |
|----------|---------|---------------|---------------|--------------|------------|
| 046404 | 160 | 56 | 37,5 | 26 | 1/16"x 90° |
| 118522 | 200 | 75 | 49 | 36 | 1/16"x 90° |
| 046414 | 250/315 | 103,5 | 58 | 50 | 1/16"x 90° |

Additionally or later applied, hardened jaws must be ground out in the chuck.

C 21

Soft top jaws, 3-jaw set, can be hardened serration 90° - material: 16MnCr5



| Item no. | Size | Jaw length mm | Jaw height mm | Jaw width mm | Serration |
|----------|------|---------------|---------------|--------------|------------|
| 046403 | 160 | 55 | 38 | 26,5 | 1/16"x 90° |
| 133153 | 200 | 75 | 53 | 36,5 | 1/16"x 90° |
| 133154 | 250 | 95 | 54,5 | 45 | 1/16"x 90° |

C 21

Claw-type jaws, 1 piece, hardened serration 90° - width of the groove 12



| Item no. | Size | Jaw length mm | Jaw height mm | Claw length mm | Serration |
|----------|------|---------------|---------------|----------------|------------|
| 144320 | 160 | 66 | 38 | 52 | 1/16"x 90° |
| 144321 | 160 | 56 | 38 | 34 | 1/16"x 90° |
| 144322 | 160 | 66 | 38 | 25 | 1/16"x 90° |

C 21

Claw-type jaws, 1 piece, hardened serration 90° - width of the groove 17



| Item no. | Size | Jaw length mm | Jaw height mm | Claw length mm | Serration |
|----------|------|---------------|---------------|----------------|------------|
| 137031 | 200 | 67 | 45 | 53 | 1/16"x 90° |
| 137032 | 200 | 65 | 45 | 46 | 1/16"x 90° |
| 137039 | 200 | 55 | 45 | 40 | 1/16"x 90° |
| 137034 | 200 | 50 | 45 | 31 | 1/16"x 90° |
| 137035 | 200 | 55 | 45 | 27 | 1/16"x 90° |
| 137036 | 200 | 65 | 45 | 19 | 1/16"x 90° |
| 137037 | 200 | 65 | 45 | 26 | 1/16"x 90° |
| 137038 | 200 | 55 | 45 | 24 | 1/16"x 90° |
| 137033 | 200 | 55 | 45 | 39 | 1/16"x 90° |

C 21

Claw-type jaws, 1 piece, hardened serration 90° - width of the groove 21



| Item no. | Size | Jaw length mm | Jaw height mm | Claw length mm | Serration |
|----------|---------|---------------|---------------|----------------|------------|
| 137041 | 250/315 | 95 | 50 | 80 | 1/16"x 90° |
| 137042 | 250/315 | 75 | 50 | 60 | 1/16"x 90° |
| 137043 | 250/315 | 60 | 50 | 43 | 1/16"x 90° |
| 137044 | 250/315 | 70 | 50 | 37 | 1/16"x 90° |
| 137045 | 250/315 | 95 | 50 | 25 | 1/16"x 90° |
| 137046 | 250/315 | 80 | 50 | 30 | 1/16"x 90° |

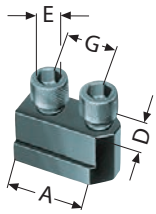
Jaws SSP



Stationary power chucks

Accessories SSP

C 15
Extended T-nuts With screw



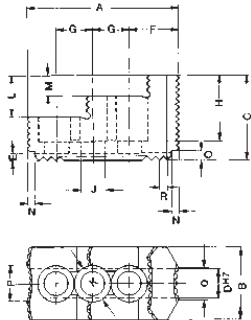
| Item no. | Chuck Size | Con- tents of delivery | D mm | E | G mm |
|-----------|------------|------------------------|------|--------|------|
| 1305178 ▲ | 160 | piece | 12 | M8x25 | 2x15 |
| 1305179 | 200 | piece | 17 | M12x30 | 19 |
| 1305180 ▲ | 250/315 | piece | 21 | M16x35 | 25 |



Technical data

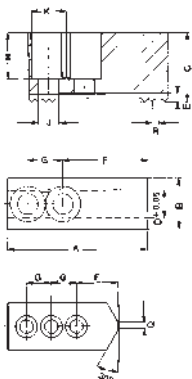
Jaw dimensions SSP

Reversible top jaws UB,
hardened, serration 90°



| Chuck size | 160 | 200 | 250/315 |
|--------------------|-----------|-----------|-----------|
| Type | 538-02 | 538-04 | 538-05 |
| Item no. 3-jaw set | 046404 | 118522 | 046414 |
| A | 56 | 75 | 103,5 |
| B | 26 | 36 | 50 |
| C | 37,5 | 49 | 58 |
| DH7 | 12 | 17 | 21 |
| E | 3,5 | 5 | 5 |
| F | 14 | 21,5 | 33,5 |
| G | 15 | 19 | 25 |
| H | 29 | 37,5 | 45 |
| J | 8,4 | 13 | 17 |
| K | 13,5 | 19 | 25 |
| L | 20 | 24 | 28 |
| M | 10 | 12 | 14 |
| N | 4 | 6 | 6 |
| O | 4 | 7,5 | 6,5 |
| P | 5 | 18 | 24,5 |
| Q | 5 | 7 | 22,5 |
| R | 1/16"x90° | 1/16"x90° | 1/16"x90° |
| Weight/jaw kg | 0,170 | 0,460 | 1,130 |

Soft top jaws AB,
Serration 90°



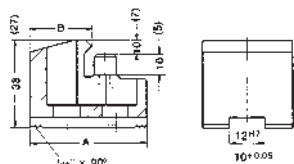
| Chuck size | 160 | 200 | 250/315 |
|--------------------|-----------|-----------|-----------|
| Type | 538-02 | 538-03 | 538-05 |
| Item no. 3-jaw set | 046403 | 133152 | 133154 |
| A | 55 | 66,7 | 95 |
| B | 26,5 | 36,5 | 45 |
| C | 38 | 53 | 54,5 |
| D | 12 | 17 | 21 |
| E | 3,5 | 5 | 5 |
| F | 31 | 36 | 55 |
| G | 15 | 19 | 25 |
| H | 28 | 43 | 42,5 |
| J | 8,4 | 13 | 17 |
| K | 13,5 | 19 | 25 |
| Q | - | - | - |
| R | 1/16"x90° | 1/16"x90° | 1/16"x90° |
| Weight/jaw kg | 0,330 | 0,700 | 1,400 |



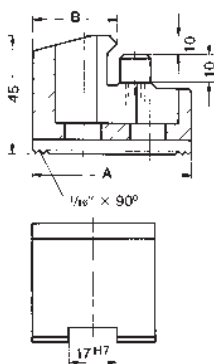
Technical data

Jaw dimensions und chucking capacities SSP

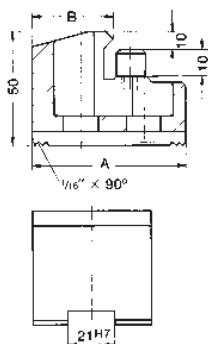
Claw type jaws KB,
Serration 90°



| Größe | A | B | 160 |
|----------------|----|----|------------------------------|
| Item no. piece | | | Chucking capacities external |
| 144320 | 66 | 52 | 56-102 |
| 144321 | 56 | 34 | 96-152 |
| 144322 | 66 | 25 | 138-184 |
| | | | Chucking capacities internal |
| 144322 | 66 | 25 | 70-116 |
| 144321 | 56 | 34 | 112-200 |
| 144320 | 66 | 52 | 152-198 |

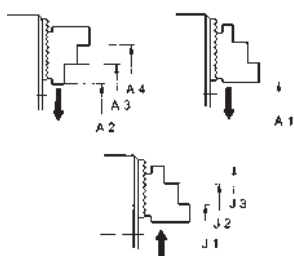


| Größe | A | B | 200 |
|----------------|----|----|------------------------------|
| Item no. piece | | | Chucking capacities external |
| 137031 | 67 | 53 | 66-104 |
| 137032 | 65 | 46 | 80-118 |
| 137039 | 55 | 40 | 106-144 |
| 137034 | 50 | 31 | 130-148 |
| 137035 | 55 | 27 | 126-164 |
| | | | Chucking capacities internal |
| 137036 | 65 | 19 | 82-120 |
| 137037 | 65 | 26 | 92-130 |
| 137038 | 55 | 24 | 110-148 |
| 137035 | 55 | 27 | 132-170 |
| 137034 | 50 | 31 | 148-184 |
| 137039 | 55 | 40 | 134-190 |
| 137033 | 55 | 39 | 164-202 |
| 137032 | 65 | 46 | 178-216 |



| Größe | A | B | 250 | 315 |
|----------------|----|----|------------------------------|---------|
| Item no. piece | | | Chucking capacities external | |
| 137041 | 95 | 80 | 54-112 | 78-186 |
| 137042 | 75 | 60 | 94-152 | 118-226 |
| 137043 | 60 | 43 | 128-186 | 152-260 |
| 137044 | 70 | 37 | 158-216 | 182-290 |
| 137045 | 95 | 25 | 238-280 | 262-330 |
| | | | Chucking capacities internal | |
| 137045 | 95 | 25 | 72-130 | 96-204 |
| 137046 | 80 | 30 | 110-168 | 134-242 |
| 137044 | 70 | 37 | 152-210 | 176-284 |
| 137043 | 60 | 43 | 182-240 | 206-314 |
| 137042 | 75 | 60 | 216-274 | - |

Chucking capacities with reversible top jaws UB



| Chuck size | | 160 | 200 | 250 | 315 |
|----------------------|--------------|---------|---------|---------|---------|
| with reversible jaws | Type | 538-02 | 538-04 | 538-05 | 538-05 |
| | Jaw position | | | | |
| External chucking | A1 | 28-80 | 30-115 | 20-128 | 41-194 |
| | A2 | 32-84 | 44-128 | 46-154 | 67-220 |
| | A3 | 82-132 | 101-185 | 128-238 | 150-303 |
| | A4 | 118-168 | 152-236 | 210-318 | 231-384 |
| Internal chucking | J1 | 64-116 | 80-165 | 70-188 | 91-244 |
| | J2 | 96-148 | 130-214 | 146-255 | 168-320 |
| | J3 | 140-192 | 182-266 | 225-334 | 246-400 |

Jaw dimensions und
Chucking capacity